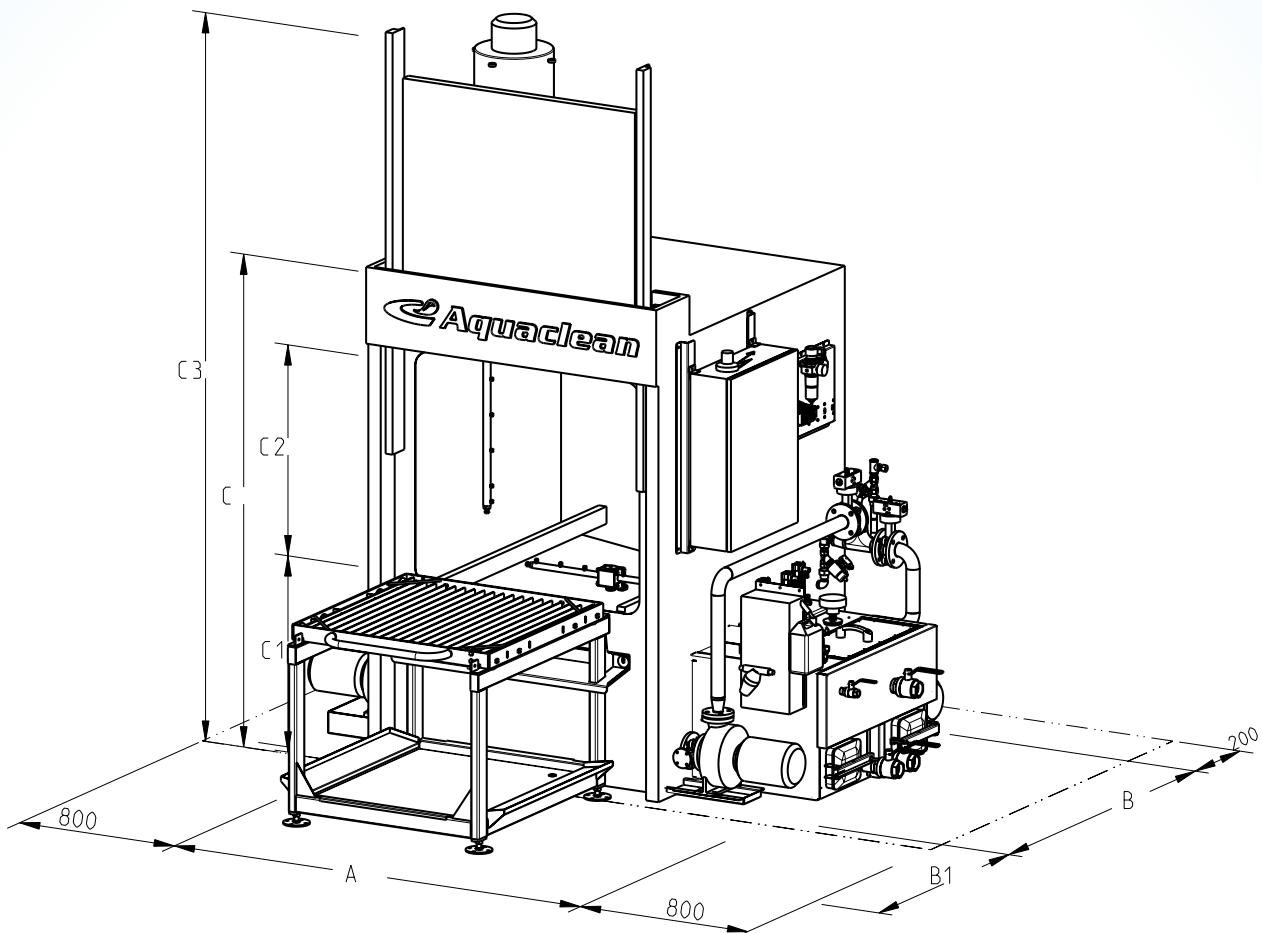
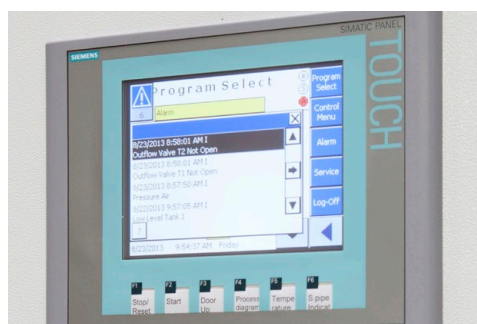
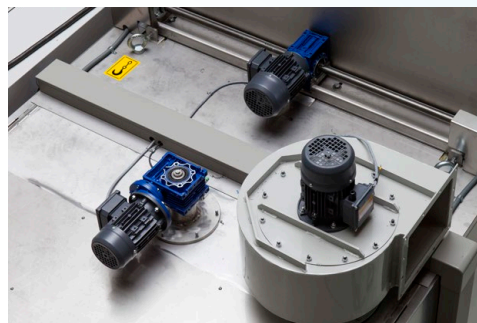


Main technical data for an aqueous spray cleaning machine, for cleaning heights 900, 1200, 1500 and 1800 mm.



MAIN DIMENSIONS (mm)		AC-2.0-2LD (C2=900)	AC-2.0-C12-2LD (C2=1200)	AC-2.0-C15-2LD (C2=1500)	AC-2.0-C18-2LD (C2=1800)
Width	A	3050	3050	3050	3050
Depth	B	2290	2290	2290	2290
	B1	1770	1770	1770	1770
Height	C	2320	2720	3020	3320
	C1	910	910	910	910
	C2	900	1200	1500	1800
	C3	3390	3990	4590	5190
Load Carriage	L x W	1600	1600	1600	1600



TECHNICAL DATA		AC-2.0-2LD (C2=900)	AC-2.0-C12-2LD (C2=1200)	AC-2.0-C15-2LD (C2=1500)	AC-2.0-C18-2LD (C2=1800)
Tank volume l	Tank 1	1000	1000	1000	1000
	Tank 2	800	800	800	800
Heating capacity kW	Tank 1	36	36	36	36
	Tank 2	24	24	24	24
Pump flow l/min	Stage 1	500	540	630	670
	Stage 2	420	460	500	540
Pump pressure bar	Stage 1	4.5	4.5	5.0	5.0
	Stage 2	3	3	2.8	2.8
Pump motor kW	Stage 1	7.5	7.5	11	11
	Stage 2	4.0	4.0	4.0	4.0
Max. component dimensions	L x W <sup>mm</sup>	1600	1600	1600	1600
	Height <sup>mm</sup>	900	1200	1500	1800
	Diam. <sup>mm</sup>	1800	1800	1800	1800
	Weight <sup>kg</sup>	1000	1000	1000	1000
Machine weight	kg	2200	2300	2400	2500
Connection power	kW	65	65	65	65